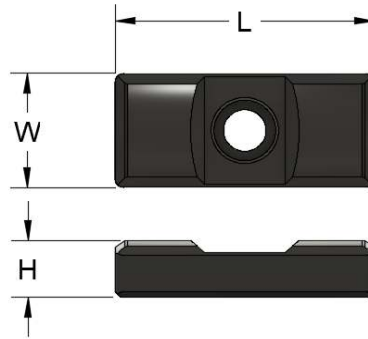


FL Pad - Solid Carbide

Technical Guide

Note:

For use on
EJ-TRITON
heads.



SAMPLE PRODUCT CODE: EJ-FL18SCIS G9080C		P	M	K	N	S	GRADES					W	L	H	MOUNTING FASTENER
DRILL DIAMETER RANGE (inch)	PRODUCT CODE	G9080C	G5270	G9080C	G5270	G9080C	G5270	G9080C	G5270	G9080C	G5270	W	L	H	MOUNTING FASTENER
.746 - .857	EJ-FL6.4R2SCIS		★		★		★		★		★	.252	.625	.098	EJCSTB2.5CR
.858 - 1.099	EJ-FL6.4R1SCIS		★		★		★		★		★	.252	.625	.117	EJCSTB2.5CR
1.100 - 1.220	EJ-FL6.4SCIS		★		★		★		★		★	.252	.625	.117	EJCSTB2.5CR
1.221 - 1.495	EJ-FL07SCIS	★		★		★		★		★		.276	.787	.138	EJCSTB3S
1.496 - 1.771	EJ-FL08SCIS	★		★		★		★		★		.315	.984	.177	EJCSTB3S
1.772 - 2.361	EJ-FL10SCIS	★		★		★		★		★		.394	1.378	.236	EJCSTB4S
2.363 - 3.897	EJ-FL14SCIS	★		★		★		★		★		.551	1.575	.294	EJCSTB5S
3.898 - 9.606	EJ-FL18SCIS	★		★		★		★		★		.707	1.575	.354	EJM601008TS
9.607 +	N/A														

★ = FIRST CHOICE

✓ = SECOND CHOICE