

PERIPHERAL INSERT (1)		
DRILL RANGE	INSERT	INSERT SCREW
.984 - 1.220	EJCR-060308H-PG/L	EJCSTB2.2CR
1.221 - 1.535	EJCR-08T308H-PG/L	EJCSTB2.5CR
1.536 - 1.968	EJCR-09T308H-PG/L	EJCSTB2.5CR
1.969 - 2.559	EJCR-11T308H-PG/L	EJCSTB2.5CR

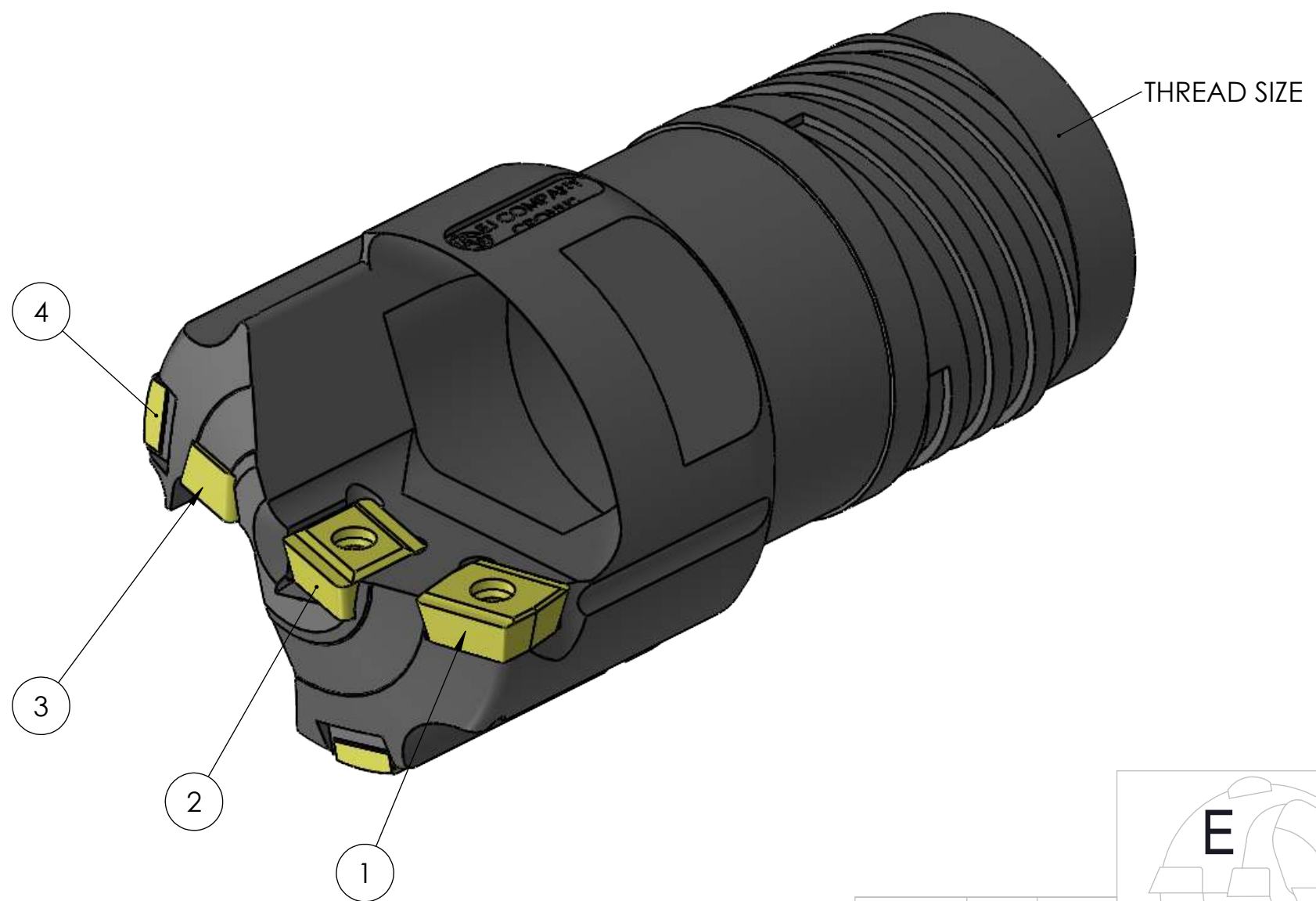
CENTRAL INSERT (2)		
DRILL RANGE	INSERT	INSERT SCREW
.984 - 1.129	EJCR-050308M-CG	EJCSTB2.2CR
1.130 - 1.338	EJCR-06T308M-CG	EJCSTB2.5CR
1.339 - 1.692	EJCR-08T308M-CG	EJCSTB2.5CR
1.693 - 1.850	EJCR-10T308M-CG	EJCSTB2.5CR
1.851 - 1.968	EJCR-12T308M-CG	EJCSTB2.5CR
1.969 - 2.283	EJCR-10T308M-CG	EJCSTB2.5CR
2.284 - 2.559	EJCR-12T308M-CG	EJCSTB2.5CR

INTERMEDIATE INSERT (3)		
DRILL RANGE	INSERT	INSERT SCREW
.984 - 1.220	EJCR-050308M-IG/L	EJCSTB2.2CR
1.221 - 1.378	EJCR-06T308M-IG/L	EJCSTB2.5CR
1.379 - 2.165	EJCR-08T308M-IG/L	EJCSTB2.5CR
2.166 - 2.559	EJCR-12T308M-IG/L	EJCSTB2.5CR

THREAD SIZE	
DRILL RANGE	THREAD SIZE
.984 - 1.039	EJ420.5-803
1.040 - 1.129	EJ420.5-804
1.130 - 1.220	EJ420.5-805
1.221 - 1.311	EJ420.5-806
1.312 - 1.425	EJ420.5-807
1.426 - 1.559	EJ420.5-808
1.560 - 1.692	EJ420.5-809
1.693 - 1.850	EJ420.5-810
1.851 - 2.035	EJ420.5-811
2.036 - 2.213	EJ420.5-812
2.214 - 2.559	EJ420.5-813

EJ SUPPORT PADS (4)		
DRILL RANGE	SUPPORT PAD	PAD SCREW
.984 - 1.099	EJ-FL06.4 R2	EJCSTB2.5
1.100 - 1.220	EJ-FL06.4	EJCSTB2.5
1.221 - 1.495	EJ-FL07	EJCSTB3S
1.496 - 1.771	EJ-FL08	EJCSTB3S
1.772 - 2.361	EJ-FL10	EJCSTB4S
2.362 - 2.559	EJ-FL14	EJCSTB5S

SUPPORT PAD (SSP)		
DRILL RANGE	SUPPORT PAD	PAD SCREW
.984 - 1.220	EJCR-06A	EJCSTB2.5
1.221 - 1.559	EJCR-07A	EJCSTB3S
1.560 - 1.850	EJCR-08A	EJCSTB3.5D
1.851 - 2.165	EJCR-10A	EJCSTB3.5D
2.166 - 2.559	EJCR-12A	EJCSTB3.5D



PROPRIETARY AND CONFIDENTIAL
 THE INFORMATION CONTAINED IN THIS DRAWING IS THE SOLE PROPERTY OF EJ COMPANY. ANY REPRODUCTION IN PART OR AS A WHOLE WITHOUT THE WRITTEN PERMISSION OF EJ COMPANY IS PROHIBITED.

	NAME	DATE
DRAWN	WB	8/3/20
CHECKED		
ENG APPR.		
MFG APPR.		
Q.A.		

EJ COMPANY, Inc
 400 Bryant Lane
 Woodbury, TN 37190