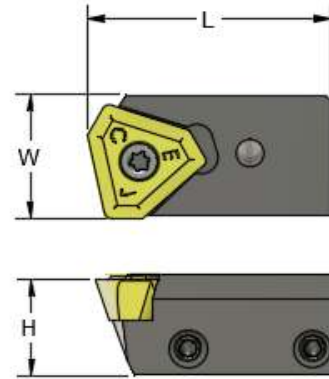
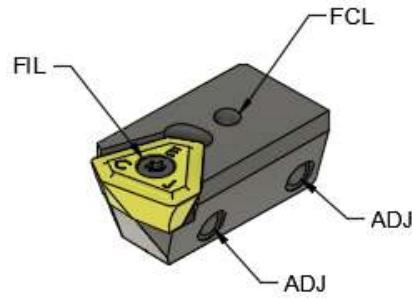


CARTRIDGE

EJ-IOZ

EJ-OZ

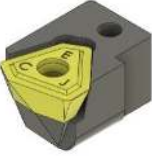
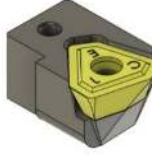


INCH



Notes:

- 1. Used on Triton drill heads.

Ordering Example: EJIOZ402-04R

STYLE	INSERT SIZE	PRODUCT CODE	INSERT	INSERT LOCKING FASTENER (FIL)	CARTRIDGE LOCKING FASTENER (FCL)	ADJUSTMENT SCREW (ADJ)	DIMENSIONS (INCH)		
							L	W	H
 IOZ-R	04	EJIOZ402-04R	EJ1123-04R	EJCSTB2.5	EJM3.506008SHCS	NA	0.707	0.448	0.315
	32	EJIOZ402-32R	EJ1123-32R	EJCSTB3.5D	EJM508012SHCS	NA	0.830	0.567	0.370
	43	EJIOZ402-43R	EJ1123-43R	EJCSTB4M	EJM610016SHCS	NA	1.115	0.768	0.428
	63	EJIOZ402-63R	EJ1123-63R	EJCSTB5	EJM610016SHCS	NA	1.378	0.924	0.662
 IOZ-L	04	EJIOZ402-04L	EJ1123-04L	EJCSTB2.5	EJM3.506008SHCS	NA	0.707	0.448	0.315
	32	EJIOZ402-32L	EJ1123-32L	EJCSTB3.5D	EJM508012SHCS	NA	0.860	0.567	0.370
	43	EJIOZ402-43L	EJ1123-43L	EJCSTB4M	EJM610016SHCS	NA	1.115	0.768	0.428
	63	EJIOZ402-63L	EJ1123-63L	EJCSTB5	EJM610016SHCS	NA	1.378	0.924	0.662
 OZ-R	04	EJOZ402-04R	EJ1123-04R	EJCSTB2.5	EJM3.506010BHCS	EJM407008SS	0.905	0.446	0.400
	32	EJOZ402-32R	EJ1123-32R	EJCSTB3.5D	EJM508012BHCS	EJM508010SS	1.181	0.562	0.492
	43	EJOZ402-43R	EJ1123-43R	EJCSTB4M	EJM610016BHCS	EJM610014SS	1.378	0.768	0.551
	63	EJOZ402-63R	EJ1123-63R	EJCSTB5	EJM610016BHCS	EJM610014SS	1.770	0.920	0.704
 OZ-L	04	EJOZ402-04L	EJ1123-04L	EJCSTB2.5	EJM3.506010BHCS	EJM407008SS	0.905	0.446	0.400
	32	EJOZ402-32L	EJ1123-32L	EJCSTB3.5D	EJM508012BHCS	EJM508010SS	1.181	0.562	0.492
	43	EJOZ402-43L	EJ1123-43L	EJCSTB4M	EJM610016BHCS	EJM610014SS	1.378	0.768	0.551
	63	EJOZ402-63L	EJ1123-63L	EJCSTB5	EJM610016BHCS	EJM610014SS	1.770	0.920	0.704